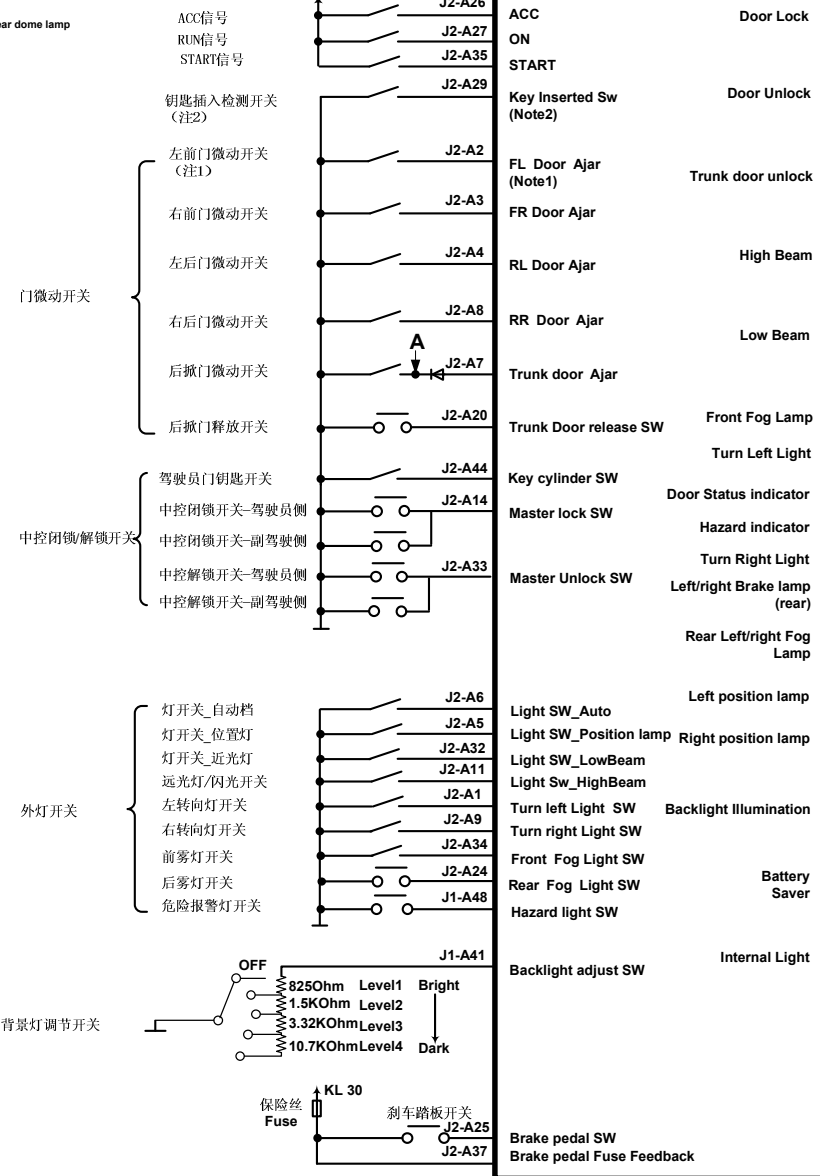


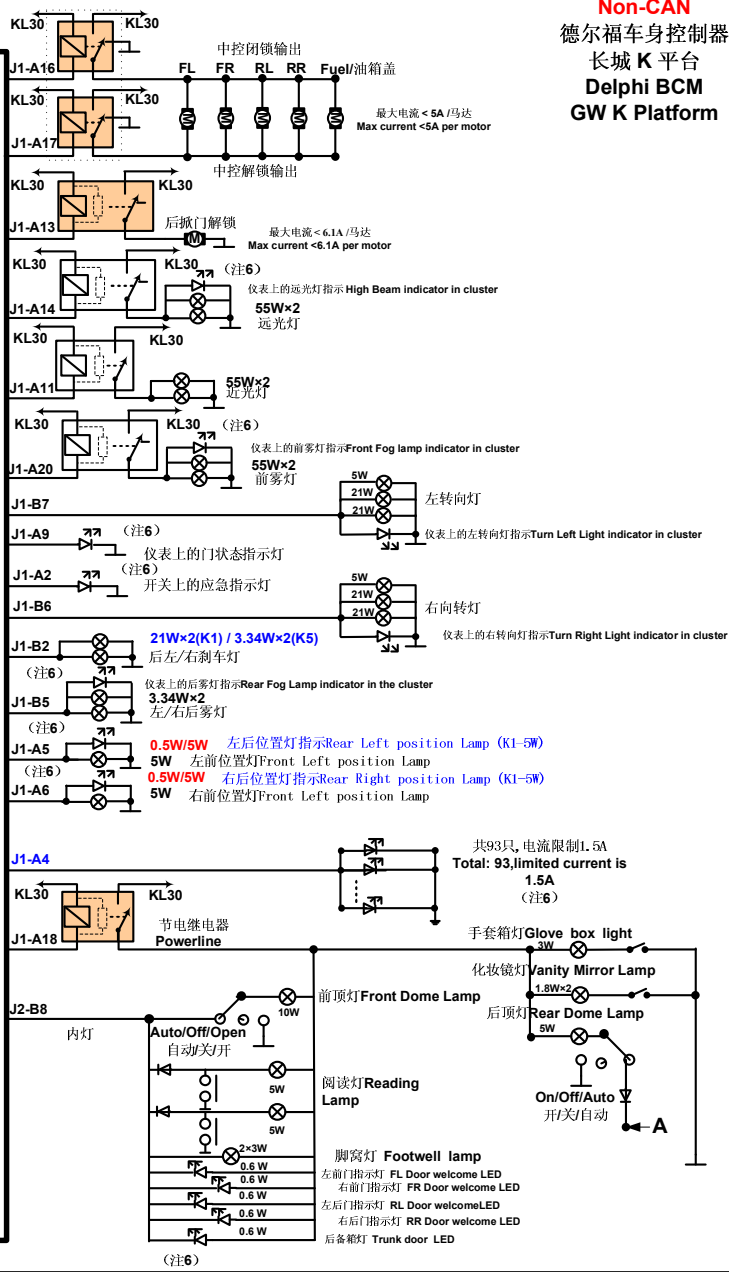
注1: 门开时(适合所有的门/后备箱门),微动开关关闭
 注2: 车辆匙插入时,开关接地
 A点为连接后级门微动开关和后顶灯

Note1: Closed=Door open (applied to all doors and trunk and fuel flip)
 Note 2: Closed=Key Inserted

A: Connect with trunk ajar and rear dome lamp

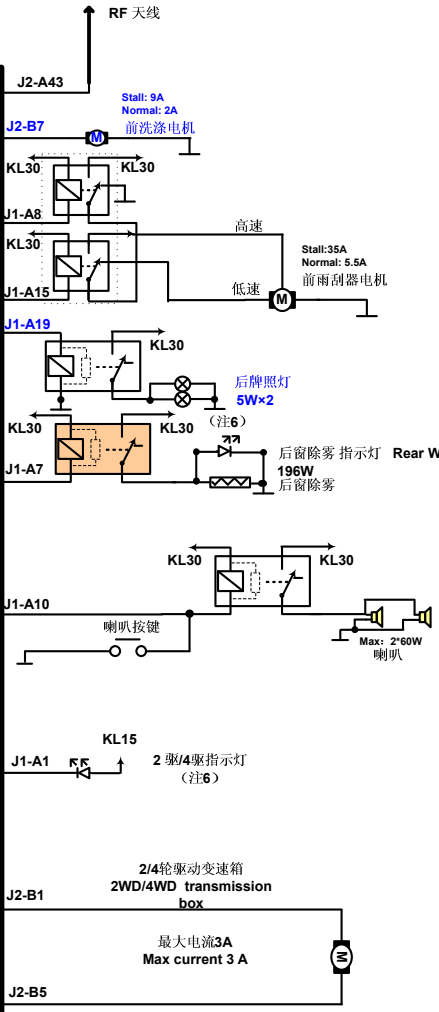
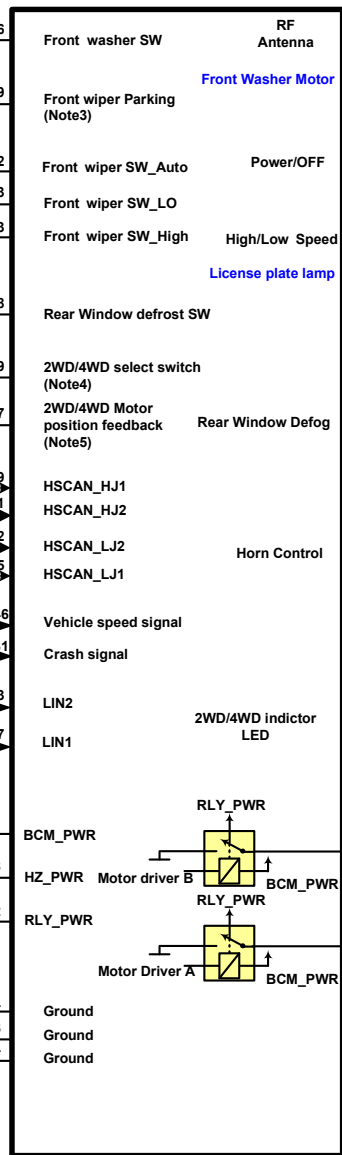
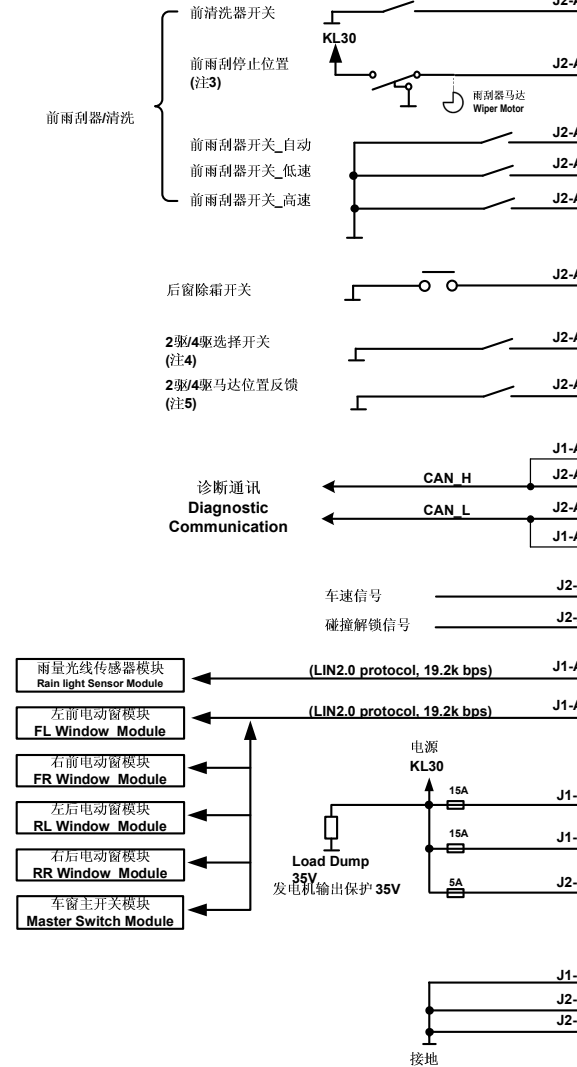


Non-CAN
 德尔福车身控制器
 长城 K 平台
Delphi BCM
 GW K Platform



DATE	REV	REVISION RECORD	AUTH
08.09.16	2.0	1. Update the 2WD/4WD motor connector name 2. Replace J2-B3 -> J2-B6 Ground 3. Trunk Door release Switch -> J2-A20 4. Light SW_Dipped beam -> J2-A32 5. Main beam SW/flash->J2-A11 6. Hazard SW -> J1-A48 7. Delete the IP module from LIN network in Non-CAN version...	Lawrence Chen
08.11.5	3.0	1. Correct the pin name 2. Hazard SW change to Momentary 3. Change the lamp load 4. Add the door status indicator 5. Update the relay type 6. Add Load Dump 7. Exchange the door indicator and 2WD/4WD indicator	Lawrence Chen
08.12.10	3.1	1. Correct the relay sign 2. Update the footwell led sign 3. Update interior lamps	Lawrence Chen
09.04.20	4.0	1. Change Backlight Illumination from J2-B7 to J1-A4 2. Change License Plate light to Left Position Light 3. Remove J2-B7 output	Lawrence Chen
09.04.29	4.1	1. Change diode to resistor in the relay of horn output 仪表上的左转向灯指示 Turn Left Light indicator in cluster	Lawrence Chen
09.07.07	5.1	1. Remove diode from the front washer switch input 2. Add the front washer motor in J2-B7 3. Add the license plate light to J1-A19 4. Change the load of rear brake 仪表上的右转向灯指示 Turn Right Light indicator in cluster	Lawrence Chen
09.07.14	5.2	1. Increase a description in left and right position lamp	L.C
NOTES ...			
表示在仪表板下配电盒内 表示在发动机舱配电盒内 表示在车身控制器内 ** DE CONFIDENTIAL **			
DELPHI			
DRAWING DATE 10-25-2008		SYSTEMS ENGINEER Lawrence Chen	
NAME Product Mechanization Drawing			
APPLICATION GW K1 BCM Non-CAN			
SHEET 1 OF 2			
DELPHI PART NO. 28191376(Non-CAN) 28191375(CAN BCM)		Version 03.1	

注3: 雨刮器运行时,开关接到KL30雨刮器停止时,开关接到地
 注4: 2驱/4驱选择开关 CLOSE =4WD OPEN=2WD
 注5: 2驱/4驱马达位置反馈 CLOSE =4WD OPEN=2WD
 注6: LED负载限流电阻未在图中表示
 Note3: Closed to GND =Wiper parking Closed to KL30 =WIPER RUNNING
 Note4: 2WD/4WD select switch Close =4WD Open=2WD
 Note5: 2WD/4WD motor position feedback Close =4WD Open=2WD
 Note6: The resistor for the LED load is not show in the drawing



Non-CAN
 德尔福车身控制器
 长城 K 平台
 Delphi BCM
 GW K Platform

DATE	REV	REVISION RECORD	AUTH
08.09.16	2.0	1. Update the 2WD/4WD motor connector name 2. Replace J2-B3 -> J2-B6 Ground 3. Trunk Door release Switch -> J2-A20 4. Light SW_Dipped beam -> J2-A32 5. Main beam SW/flash -> J2-A11 6. Hazard SW -> J1-A48 7. Delete the IP module from LIN network in Non-CAN version...	Lawrence Chen
08.11.15	3.0	1. Correct the pin name 2. Hazard SW change to Momentary 3. Change the lamp load 4. Add the door status indicator 5. Update the relay type 6. Add Load Dump 7. Exchange the door indicator and 2WD/4WD indicator	Lawrence Chen
08.12.10	3.1	1. Correct the relay sign 2. Update the footwell led sign 3. Update interior lamps	Lawrence Chen
09.04.20	4.0	1. Change Backlight Illumination from J2-B7 to J1-A4 2. Change License Plate light to Left Position Light 3. Remove J2-B7 output	Lawrence Chen
09.04.29	4.1	1. Change diode to resistor in the relay of horn output	Lawrence Chen
09.07.07	5.1	1. Remove diode from the front washer switch input 2. Add the front washer motor in J2-B7 3. Add the license plate light to J1-A19 4. Change the load of rear brake	Lawrence Chen
09.07.14	5.2	1. Increase a description in left and right position lamp	L.C
NOTES ...			
表示在仪表板下配电盒内 表示在发动机舱配电盒内 表示在车身控制器内 ** DE CONFIDENTIAL **			
DELPHI			
DRAWING DATE 10-25-2008		SYSTEMS ENGINEER Lawrence Chen	
NAME Product Mechanization Drawing			
APPLICATION GW K1 BCM Non-CAN			
SHEET 2 OF 2			
DELPHI PART NO. 28191376(Non-CAN) 28191375(CAN BCM)			Version 03.1